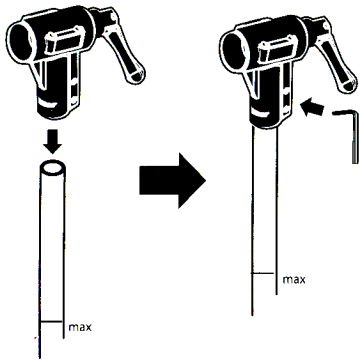
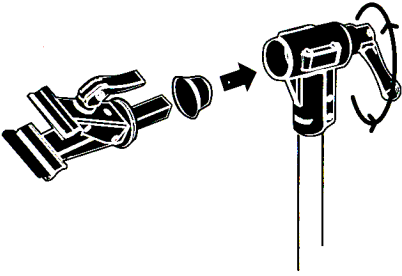


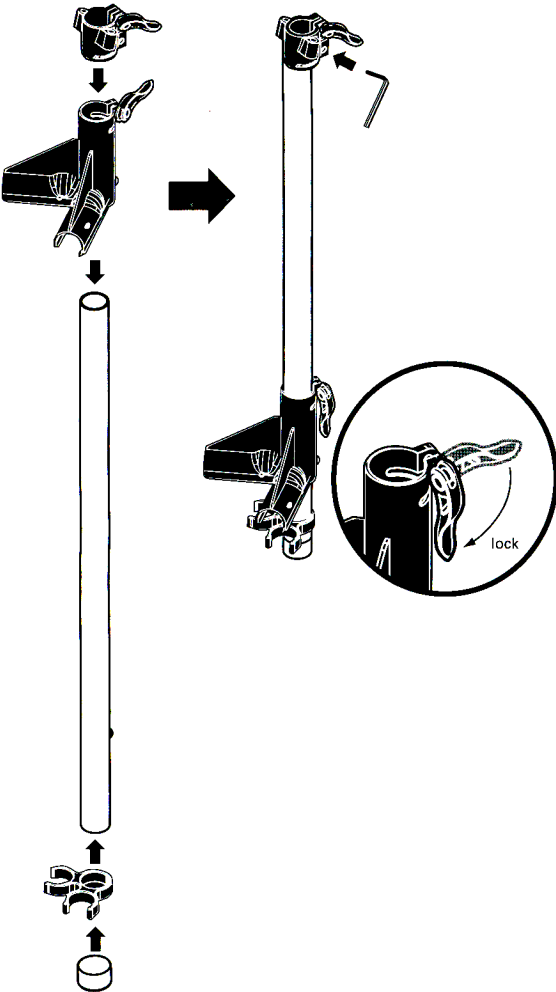
1



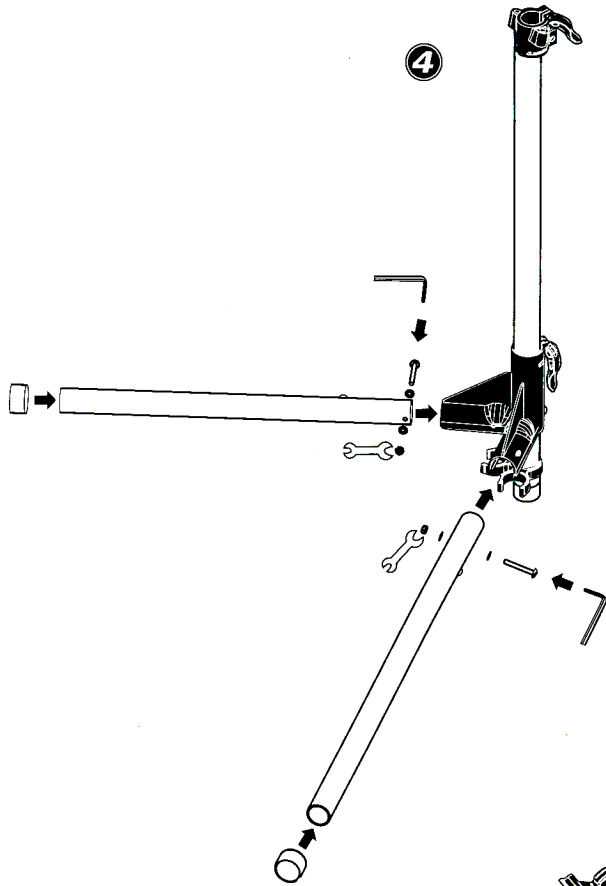
2



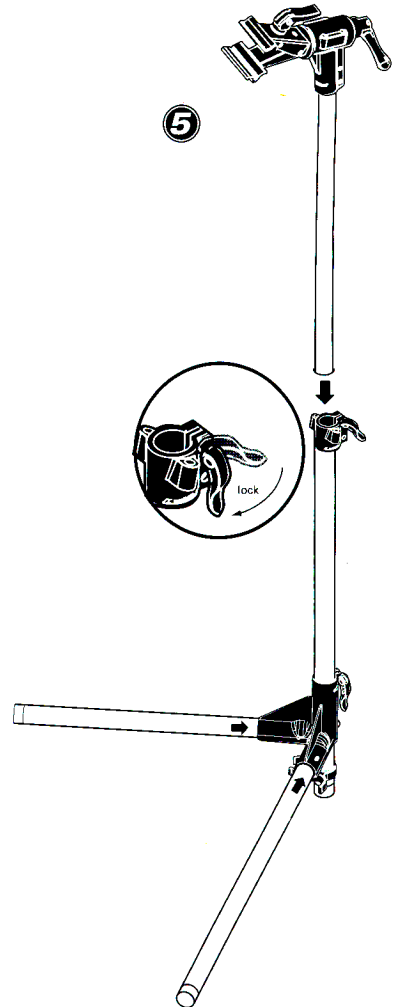
3



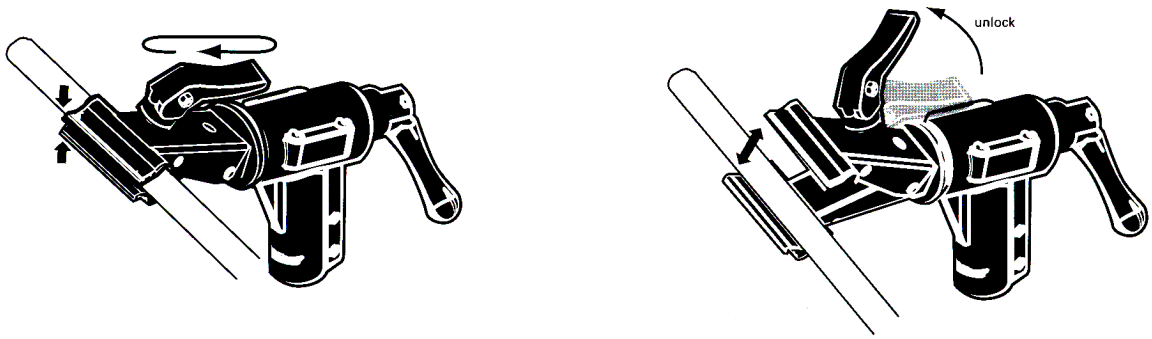
4



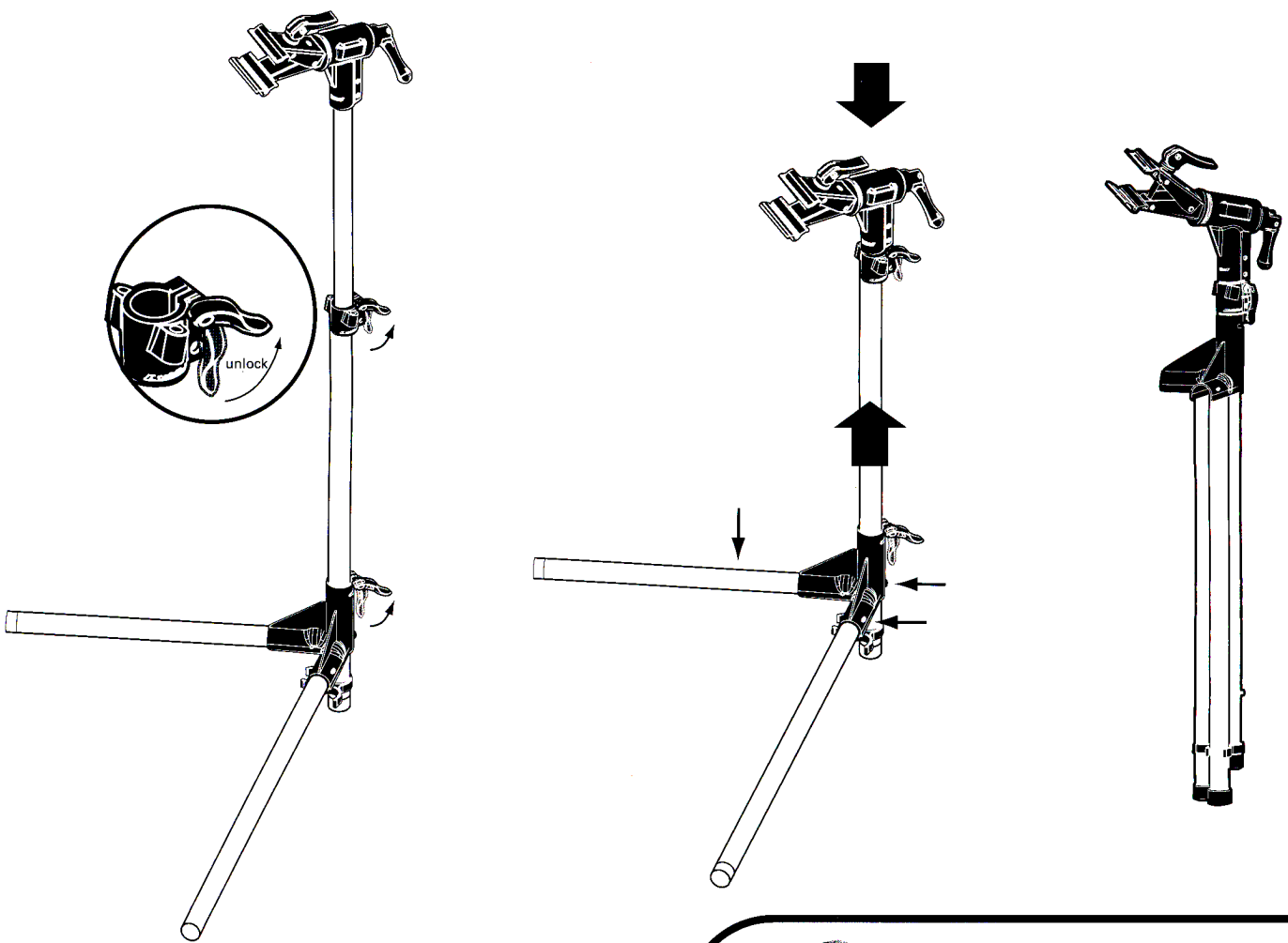
5



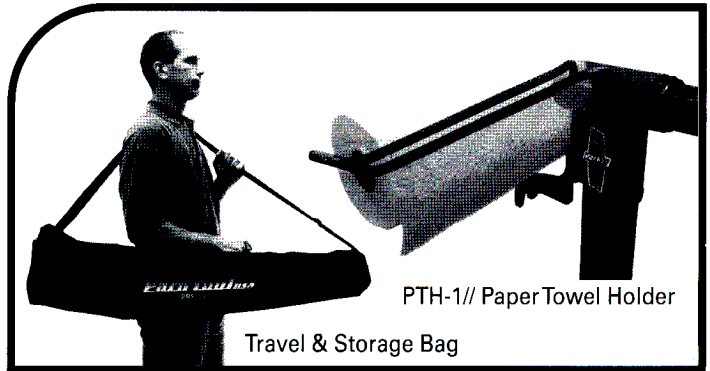
**Clamp Operation:**



**Folding for Storage (reverse to unfold):**



**optional accessories:  
(not included)**



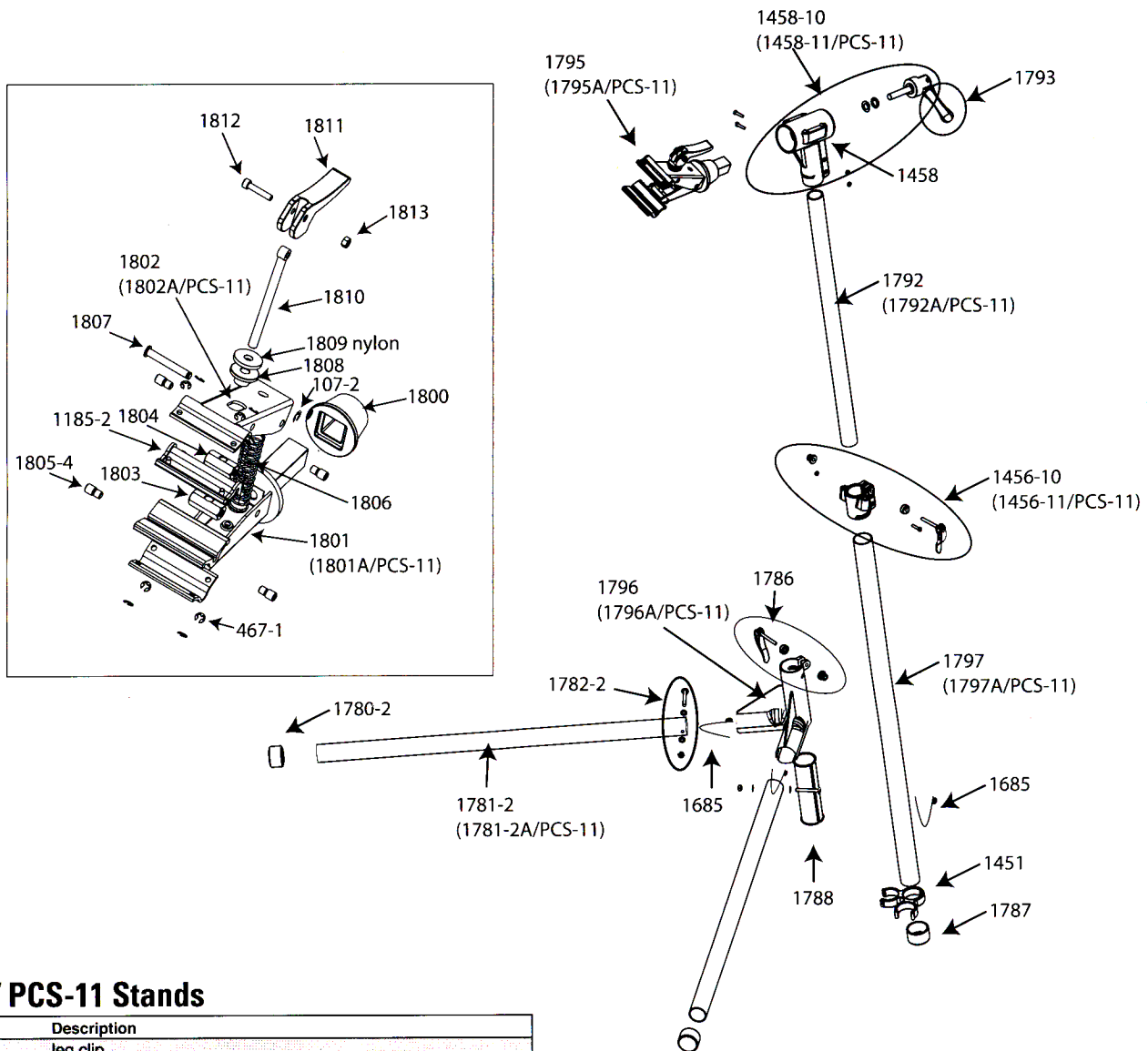
PTH-1// Paper Towel Holder

Travel & Storage Bag



# Home Mechanic Repair Stand PCS-10/11

Park Tool Co. 6 Long Lake Rd. St. Paul, MN 55115 (USA) www.parktool.com



## PCS-10 / PCS-11 Stands

Part No.	Description
1451	leg clip
1456-10	extension collar assembly (includes QR, nut & bolt) - PCS-10
1456-11	extension collar assembly (includes QR, nut & bolt) - PCS-11
1458	composite top tube only
1458-10	PCS-10 complete top tube assembly
1458-11	PCS-11 complete top tube assembly
1685	spring button
1780-2	leg cap
1781-2	leg - steel PCS-10
1781-2A	leg - aluminum PCS-11
1782-2	leg bolt, nut and washers
1786	yoke QR assembly
1787	upright cap
1788	yoke sleeve
1792	steel extension tube
1792A	aluminum extension tube
1793	composite top tube swing handle
1795	PCS-10 complete clamp
1795A	PCS-11 complete clamp
1796	yoke - blue PCS-10
1796A	yoke - black PCS-11
1797	upright tube - steel PCS-10
1797A	upright tube - aluminum PCS-11

## PCS-10 / PCS-11 Clamps

Part No.	Description
107-2	clevis pin c-clip
467-1	jaw c-clip
1185-2	jaw covers
1800	tapered compression cone
1801	rotating jaw - steel
1801A	rotating jaw - aluminum
1802	moveable jaw - steel
1802A	moveable jaw - aluminum
1803	hex barrel - rotating jaw (threaded center hole)
1804	hex barrel - moveable jaw (unthreaded center hole)
1805-4	cap screw
1806	spring
1807	clevis pin
1808	step bushing
1809	nylon washer
1810	clamp screw
1811	cam lever
1812	cam lever bolt
1813	cam lever nut